

# NHLED302

CE IP65 50000H



### Specification

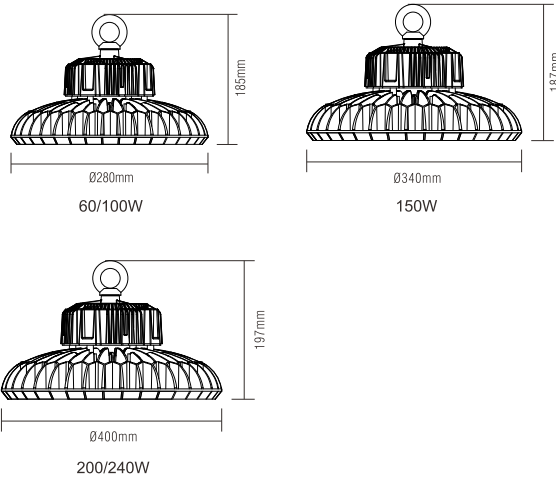
- SMD LEDs
- Die-cast aluminum housing and heat sink
- 60°, 90° PC lens, 110° glass cover
- Powder coated surface treatment
- LED driver included
- 60°, 90° and 110° beam angle available

### Applications

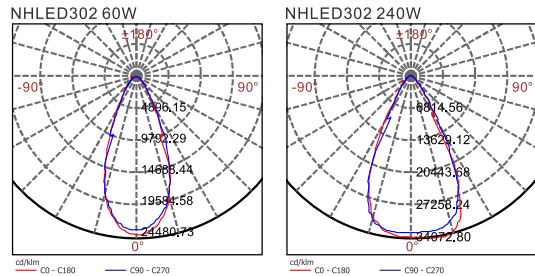
- Industrial production areas
- Warehouses
- Exhibition halls

### Options

- Microwave sensor for option
- Hook mounting, pole mounting or bracket mounting for option



### Photometric Data



Model	Input	Watts	Lumens	Color temp.	Beam angle	CRI
NHLED302 60W	110-240V	60W	9130lm	3000K/4000K/5000K/6000K	60°/90°/110°	>80
NHLED302 100W	110-240V	100W	12860lm	3000K/4000K/5000K/6000K	60°/90°/110°	>80
NHLED302 150W	110-240V	150W	20080lm	3000K/4000K/5000K/6000K	60°/90°/110°	>80
NHLED302 200W	110-240V	200W	27860lm	3000K/4000K/5000K/6000K	60°/90°/110°	>80
NHLED302 240W	110-240V	240W	34320lm	3000K/4000K/5000K/6000K	60°/90°/110°	>80