

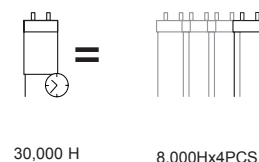
LED T8M-HL



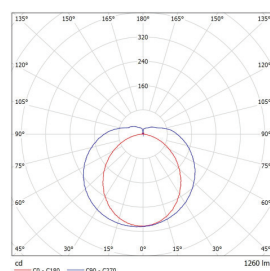
UP To 50% ENERGY SAVING

9w	⇔	18w
18w	⇔	36w
22w	⇔	40w

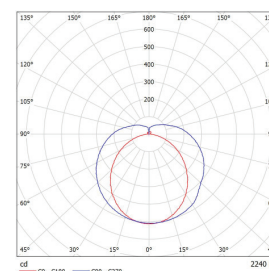
Under the condition of equal illumination



LED T8M HL 9W



LED T8M HL 18W

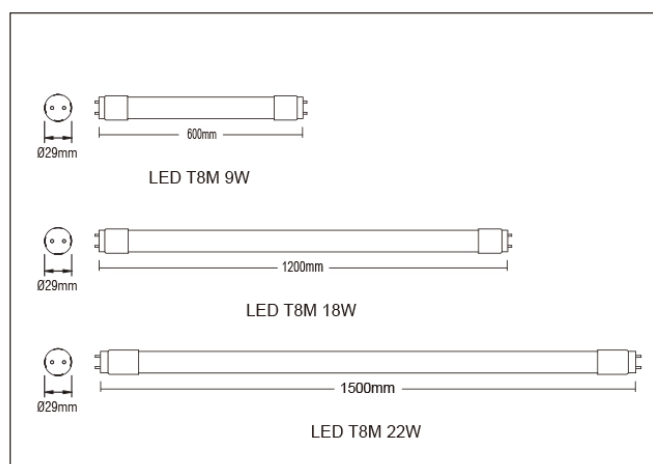


SPECIFICATION

- SMD 2835
- PC tube
- Built-in constant current LED driver
- Single ended input, and the other two pins are isolated for easy & safe replacement of traditional fluorescent tubes
- Designed for high-temperature use (IP65 batten)

APPLICATION

- Office, super market, shop, home etc.



Model	Watt	Lumen	Lumen/Watt	Color temp.	CRI
LED T8M06-HL-4Y 9W 3000K	9 W	1260 lm	140 lm/W	3000 K	80
LED T8M06-HL-4Y 9W 4000K	9 W	1260 lm	140 lm/W	4000 K	80
LED T8M12-HL-4Y 18W 3000K	18 W	2240 lm	124 lm/W	3000 K	80
LED T8M12-HL-4Y 18W 4000K	18 W	2240 lm	124 lm/W	4000 K	80
LED T8M15-HL-4Y 22W 3000K	22 W	2800 lm	128 lm/W	3000 K	80
LED T8M15-HL-4Y 22W 4000K	22 W	2800 lm	128 lm/W	4000 K	80