

LED T8E

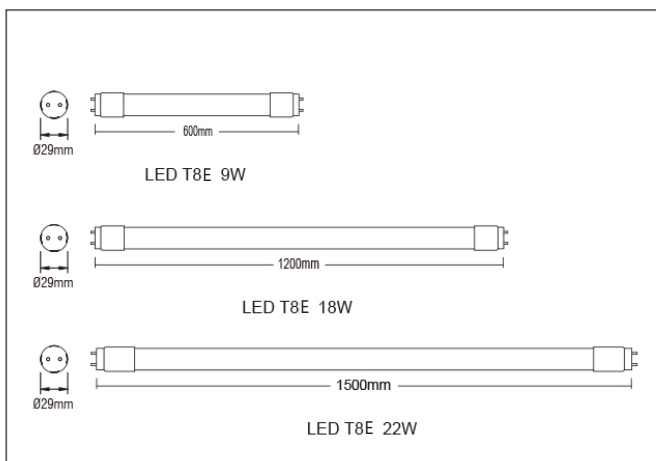


UP To **50%** ENERGY SAVING

9w	↔	18w
18w	↔	36w
24w	↔	48w

Under the condition of equal illumination

30,000 H 8,000Hx4PCS



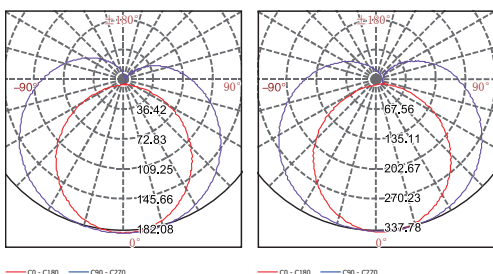
SPECIFICATION

- SMD 2835
- Glass tube
- Built-in constant current LED driver
- Any two pins input, and the other two pins are isolated for
- easy & safe replacement of traditional fluorescent tubes

Photometric Data

LED T8E 9W

LED T8E 18W



APPLICATION

- Offices, super markets, shops and residential premises

Model	Watt	Lumen	Lumen/Watt	Color temp.	Dimmable	CRI
LED T8E06 9W 4000K	9 W	920 lm	102 lm/W	4000 K	no	70+
LED T8E12 18W 4000K	18 W	1820 lm	101 lm/W	4000 K	no	70+
LED T8E15 24W 4000K	24 W	2420 lm	101 lm/W	4000 K	no	70+