

NLED 930*

Slim downlight



LED Downlight



White

DESCRIPTION

- Ultrathin LED downlight

CONSTRUCTION

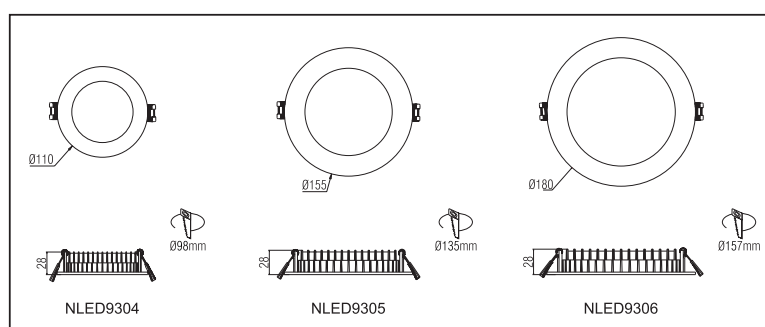
- Direct emitting - LED chips attached on the surface of the base, lights direct transmit to task areas

SPECIFICATION

- SMD LED
- Die-casting aluminum housing+PC diffuser
- Powder coated surface treatment
- Constant current LED driver is included

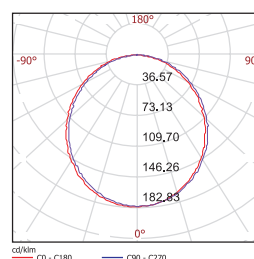
APPLICATIONS

- Hotel, shopping mall, exhibition hall, theater etc.

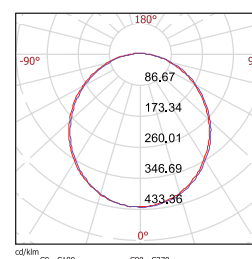


PHOTOMETRIC DATA

NLED 9304 9W



NLED 9306 20W



Model	Watt	Lumen	Lumen/Watt	Color temp.	CRI
NLED 9304 9W 3000K	9 W	630 lm	70 lm/W	3000 K	>75
NLED 9304 9W 4000K	9 W	630 lm	70 lm/W	4000 K	>75
NLED 9305 12W 3000K	12 W	840 lm	70 lm/W	3000 K	>75
NLED 9305 12W 4000K	12 W	840 lm	70 lm/W	4000 K	>75
NLED 9306 20W 3000K	20 W	1400 lm	70 lm/W	3000 K	>75
NLED 9306 20W 4000K	20 W	1400 lm	70 lm/W	4000 K	>75