

ORLANDO

Flood Light



Close-up of PIR

SUBSCRIPTION

- IP65 rated LED floodlights in an attractive die-cast aluminium housing

CONSTRUCTION

- Die-cast aluminium body, RAL7010
- Toughened glass cover, lightly frosted

APPLICATIONS

- Security lighting
- Building perimeters
- Domestic drives and porches

SPECIFICATION

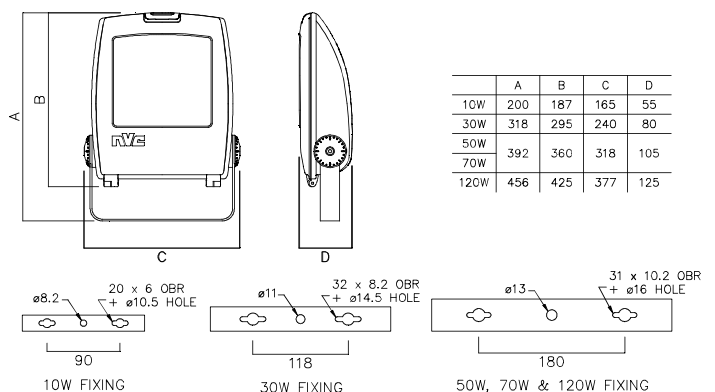
- COB LED light source
- 5 sizes available
- CRI > .7
- Symmetric light distribution

OPTIONS

- **PIR.** 10W & 30W versions available with PIR occupancy sensor fitted. Add suffix PIR. Versions with PIR have adjustable time delay and a night setting to prevent switching during daylight.

LED v. METAL HALIDE How do they compare?

	Lumen	Watt	Lumen/Watt
70W METAL HALIDE	3850 lm	78 W	49 lm/W
ORLANDO 50W LED	3340 lm	55 W	61 lm/W
	Similar output	30% saving	24% more efficient
140W METAL HALIDE	7875 lm	164 W	48 lm/W
ORLANDO 120W LED	6655 lm	126 W	53 lm/W
	Similar output	23% saving	10% more efficient



Model	Watt	Lumen	Lumen/Watt	Color temp.	Weight	Windage
NOL/10/LED/740	10W	700 lm	70 lm/W	4000 K	0.9 kg	0.03 m2
NOL/30/LED/740	30W	1950 lm	65 lm/W	4000 K	2.3 kg	0.07 m2
NOL/50/LED/740	50W	3340 lm	61 lm/W	4000 K	4.1 kg	0.11 m2
NOL/70/LED/740	70W	4060 lm	58 lm/W	4000 K	4.1 kg	0.11 m2
NOL/120/LED/740	120W	6655 lm	53 lm/W	4000 K	6.0 kg	0.16 m2