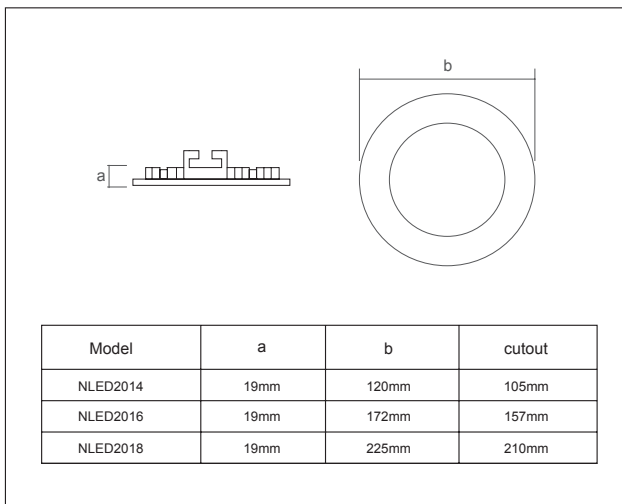


NLED 201*

Slim downlight



DESCRIPTION

- Recessed ultra slim LED panel light

CONSTRUCTION

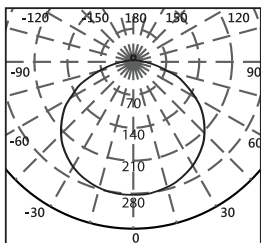
- Aluminum housing for better heat sinking efficiency
- High quality light guide plate (LGP) provides comfortable light
- PMMA-made opal front cover, glare-free

SPECIFICATION

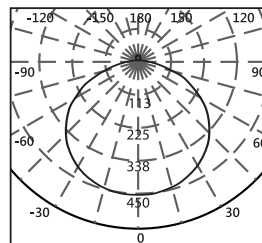
- Lamp: High-quality SMD chip
- External driver is Include
- Main material: Aluminum+ High efficiency panel
- Thickness: 2 cm

Photometric Data

NLED 2016 12W



NLED 2018 18W



APPLICATIONS

- Hotels, exhibition hall, house, restaurant etc.

Model	Watt	Lumen	Lumen/Watt	Color temp.	CRI
NLED 2014 6W 3000K	6 W	350 lm	58 lm/W	3000 K	80
NLED 2014 6W 4000K	6 W	380 lm	63 lm/W	4000 K	80
NLED 2016 12W 3000K	12 W	800 lm	67 lm/W	3000 K	80
NLED 2016 12W 4000K	12 W	830 lm	69 lm/W	4000 K	80
NLED 2018 18W 3000K	18 W	1350 lm	68 lm/W	3000 K	80
NLED 2018 18W 4000K	18 W	1380 lm	69 lm/W	4000 K	80