

# TLED 308

1 phase track light



LED Tracklight



### SPECIFICATION

- CREE LED
- Die-casting aluminium housing
- Powder coated surface treatment
- Constant current LED driver is included

### APPLICATION

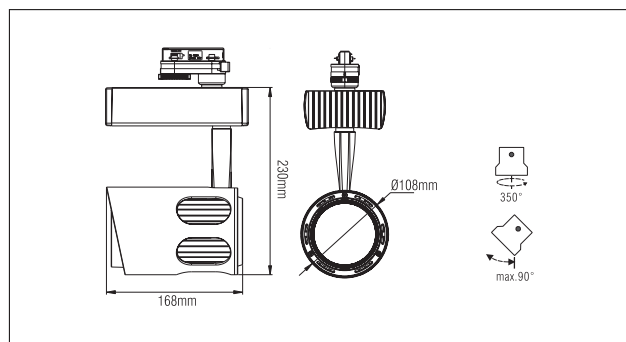
- Shopping mall, Hotel, Entertainment etc.

### OPTIONS

- NVC 3-wire track and accessories
- Surface-mounting converter

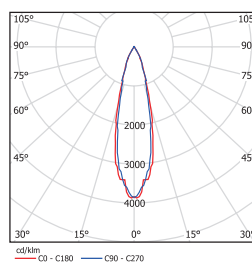


Cream White



### PHOTOMETRIC DATA

TLED 308 50W 24°



Model	Watt	Lumen	Lumen/Watt	Color temp.	CRI
TLED 308 35W 3000K 24°	35 W	1800 lm	51 lm/W	3000 K	85
TLED 308 35W 4000K 24°	35 W	1800 lm	51 lm/W	4000 K	85
TLED 308 50W 3000K 24°	50 W	2200 lm	44 lm/W	3000 K	85