

NLED 124D NLED 125D

Spot downlight



DESCRIPTION

- High quality recessed adjustable-angle LED downlight

CONSTRUCTION

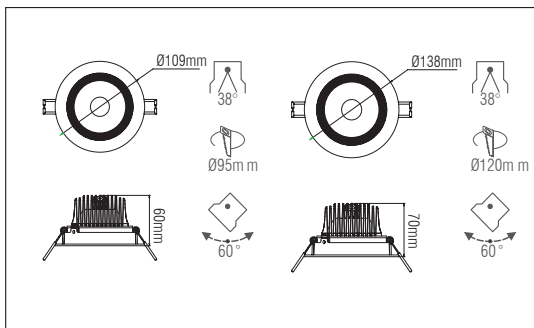
- Aluminium housing with high efficiency heat-emitting structure
- 60 degree adjustable

SPECIFICATION

- Lamp: COB module
- External driver is included
- Surface treatment: baking finish
- Powder coated surface treatment
- The projection Angle: adjustable

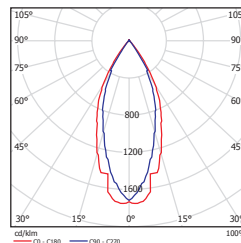
APPLICATIONS

- Shopping mall, Hotels, Exhibition hall, Art hall, Museums etc.



PHOTOMETRIC DATA

NLED 124D 12W 38°



Model	Watt	Lumen	Lumen/Watt	Color temp.	CRI
NLED 124D 9W 3000K 38°	9 W	600 lm	67 lm/W	3000 K	80
NLED 124D 9W 4000K 38°	9 W	600 lm	67 lm/W	4000 K	80
NLED 124D 12W 3000K 38°	12 W	620 lm	52 lm/W	3000 K	80
NLED 125D 15W 3000K 38°	15 W	840 lm	56 lm/W	3000 K	80
NLED 125D 15W 4000K 38°	15 W	840 lm	56 lm/W	4000 K	80