

# NLED 96\*

Normal downlight



LED Downlight



### DESCRIPTION

- Recessed LED downlight with frosted cover

### CONSTRUCTION

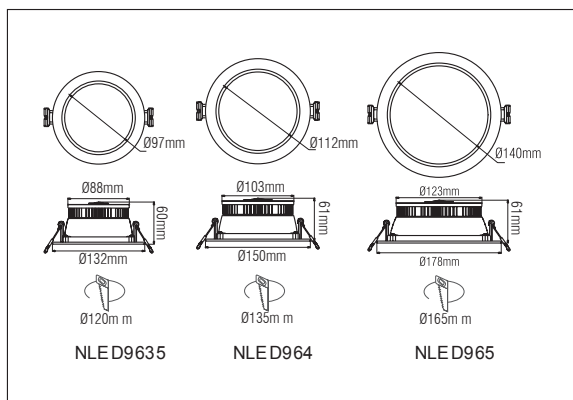
- Main material: Aluminum
- Surface treatment: baking finish
- High quality light guide plate (LGP) inside for glare-free output

### SPECIFICATION

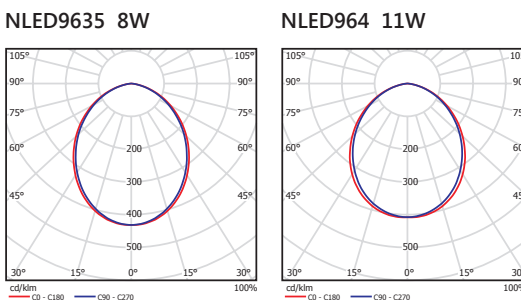
- Energy saving, up to 85% energy saving comparing to standard halogen and incandescent lamps
- Long life, up to 30000 hours
- High quality light, high color rendering, less heat, no UV or IR radiation
- Supplied with LED driver

### APPLICATIONS

- Entertainment, retail, office, domestic etc.



### PHOTOMETRIC DATA



Model	Watt	Lumen	Lumen/Watt	Color temp.	CRI
NLED 9635 8W 3000K	8 W	430 lm	54 lm/W	3000 K	80
NLED 964 11W 3000K	11 W	560 lm	51 lm/W	3000 K	80
NLED 964 11W 4000K	11 W	600 lm	55 lm/W	4000 K	80
NLED 965 14W 3000K	14 W	720 lm	51 lm/W	3000 K	80