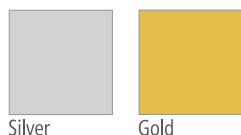


# NLED 19\*

Spot downlight



LED Downlight



### CONSTRUCTION

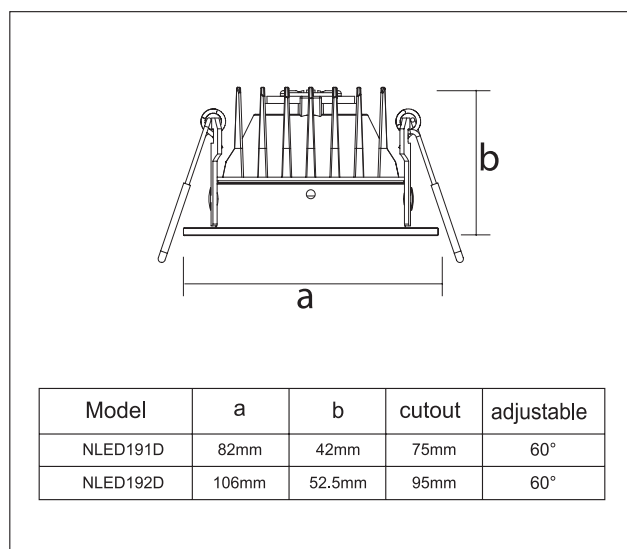
- Plastic bezel with PMMA cover
- High quality light guide plate (LGP) inside for glare-free output

### SPECIFICATION

- Up to 80% energy saving compared with halogen lamps
- COB chip inside
- Long lifetime, up to 25000 hours
- High color rendering
- UV-free and IR-free light
- NVC LED driver

### APPLICATIONS

- Hotels, restaurants, bars, cafes
- Lobbies, corridors



Model	Watt	Lumen	Lumen/Watt	Color temp.	CRI	Product color
NLED 191D 4W 3000K 24° S	4 W	260 lm	65 lm/W	3000 K	80	silver
NLED 191D 6W 3000K 24° S	6 W	400 lm	67 lm/W	3000 K	80	silver
NLED 191D 4W 3000K 24° G	4 W	260 lm	65 lm/W	3000 K	80	gold
NLED 191D 6W 3000K 24° G	6 W	400 lm	67 lm/W	3000 K	80	gold
NLED 192D 9W 3000K 24° S	9 W	600 lm	67 lm/W	3000 K	80	silver
NLED 192D 12W 3000K 24° S	12 W	800 lm	67 lm/W	3000 K	80	silver
NLED 192D 9W 3000K 24° G	9 W	600 lm	67 lm/W	3000 K	80	gold
NLED 192D 12W 3000K 24° G	12 W	800 lm	67 lm/W	3000 K	80	gold