

# NLED 147D NLED 149D

Spot downlight



NLED 149D



Silver

LED Downlight

### DESCRIPTION

- High quality recessed adjustable-angle LED downlight

### CONSTRUCTION

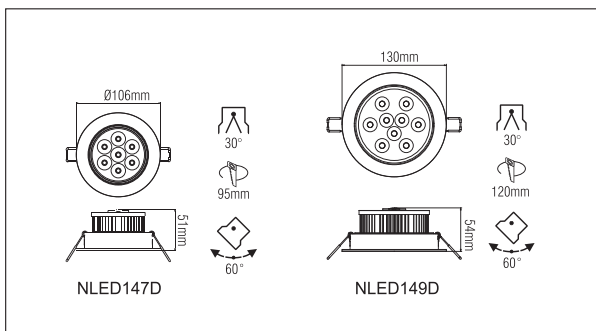
- Aluminium housing with high efficiency heat-emitting structure
- 60 degree adjustable

### SPECIFICATION

- Lamp: Cree chip
- External driver is included
- Surface treatment: Anodised aluminum. Satin silver
- The projection Angle: adjustable

### APPLICATIONS

- Shopping mall, Hotels, Exhibition hall, Art hall, Museums etc.



Model	Watt	Lumen	Lumen/Watt	Color temp.	CRI
NLED 147D 9W 3000K 30°	7 W	320 lm	46 lm/W	3000 K	80
NLED 149D 12W 3000K 30°	9 W	420 lm	47 lm/W	3000 K	80