

NLED 135D NLED 137D NLED 139D

Spot downlight



NLED 135D



NLED 137D



NLED 139D



Cream White

LED Downlight

DESCRIPTION

- High quality recessed adjustable-angle LED downlight

CONSTRUCTION

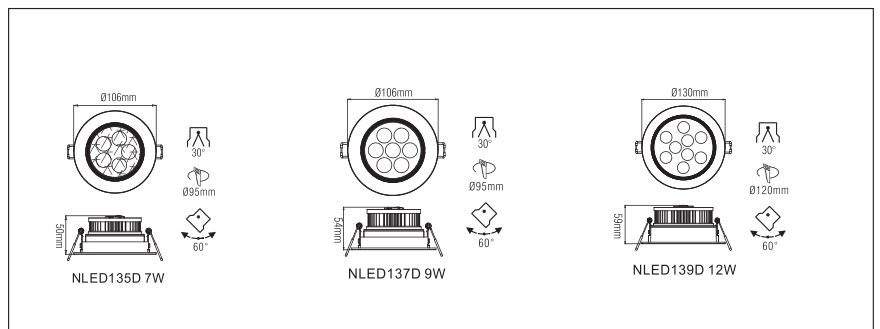
- Aluminium housing with high efficiency heat-emitting structure

SPECIFICATION

- External driver is included
- The projection Angle: adjustable

APPLICATIONS

- Shopping mall, Hotels, Exhibition hall, Art hall, Museums etc.



Model	Watt	Lumen	Lumen/Watt	Color temp.	CRI
NLED 135D 7W 3000K 30°	7 W	320 lm	46 lm/W	3000 K	80
NLED 137D 9W 3000K 30°	9 W	420 lm	47 lm/W	3000 K	80
NLED 139D 12W 3000K 30°	12 W	550 lm	46 lm/W	3000 K	80