

NLED 111D

Spot downlight



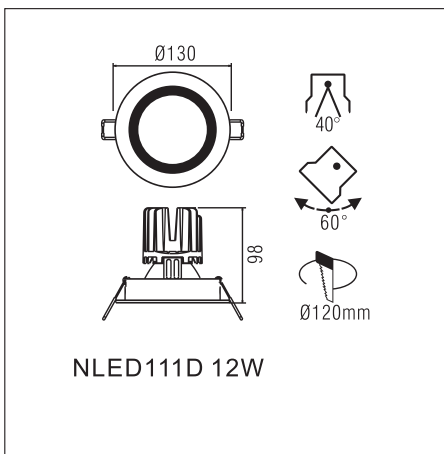
Cream White

SPECIFICATION

- Lamp: High quality COB module
- Main Material: aluminum
- External driver is included
- Surface treatment: Anodised aluminum+baking finish
- The projection Angle: fixed, adjustable can be chose
- Single LED, perfect light and shadow effects
- Ideal for replacement of 50W, 75W halogen downlight

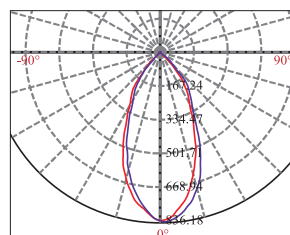
APPLICATIONS

- Shopping mall, Hotels, Exhibition hall, Art hall, Museums etc.



PHOTOMETRIC DATA

NLED111D 4W 30°



Model	Watt	Lumen	Lumen/Watt	Color temp.	CRI
NLED 111D 12W 3000K 40°	12 W	600 lm	50 lm/W	3000 K	80