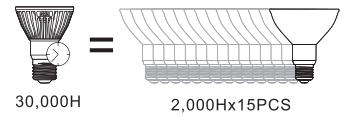
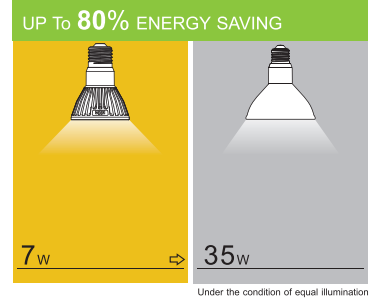


LED PAR20A

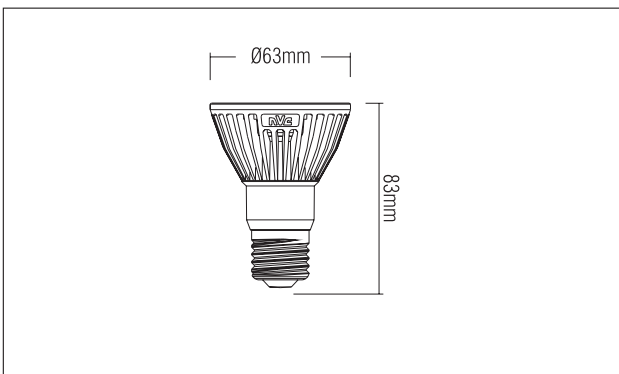


SPECIFICATION

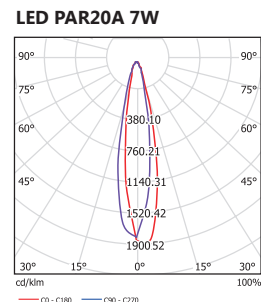
- ETI LED
- Constant current LED driver
- Die-casting aluminum housing + PC optical lens
- Anodizing surface treatment

APPLICATION

- Hotel, shop, restaurant, bar, cafe etc.



PHOTOMETRIC DATA



Model	Watt	Lumen	Lumen/Watt	Color temp.	Dimmable	CRI
LED PAR20A 7W 3000K 25°	7 W	350 lm	50 lm/W	3000 K	no	80